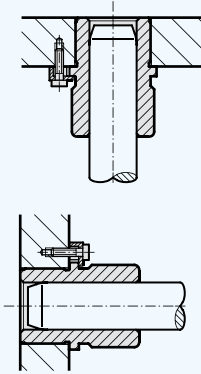


# MFB 2081.75. 顶端导向带环铜套

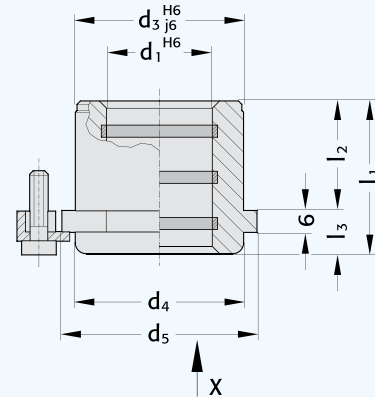
## Headed Guide Bushes, Bronze with solid lubrication rings



### Mounting Example



### MFB 2081.75



### Note:

Headed Guide Bushes are to be held in H6-retainer bores. Three screw clamps are provided for fixing; sizes  $d_1=38$  mm and over have four.

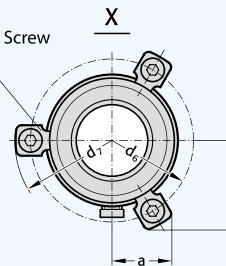
**Material:** Bronze

### Execution:

Contact surfaces with solid lubricant rings.  
Diameter  $d_3$  and collar face precision ground.

### MFB 207.45

Order No. for replacement parts Screw clamp with cap screws M6  $\times$  20 similar DIN 6912, head  $\Phi$  13, (four clamps for size  $\Phi d_1 = 38$  mm and over)



单位unit:mm

MFB2081.75.													
$d_1$	19	20	24	25	30	32	38	40	48	50	60	63	80
$d_3$	32		40		48		58		70		85		105
$d_4$	32		40		48		58		70		85		105
$d_5$	40		48		56		66		80		95		118
$d_6$	52		60		67		77		91		106		129
$d_7$	64.7		72.7		79.7		89.7		103.7		118.7		141.7
$d_8$	39		46		53		63		77		92		115
a	20.7		22.65		24.4		35.3		40.2		45.5		54.5
$a_1$	30		33.4		36.4		35.3		40.2		45.5		54.5
$l_1$	35		35		42		52		65		80		80
$l_2$	23		23		30		37		47		60		60
$l_3$	12		12		12		15		18		20		20
Ordering Code(example): Headed Guide Bushes, Bronze = 2081.75.													
d1= 63mm = 063													
Order No = 2081.75.063													