

MFB 2102.70. 模具导套 MFB 2102.70. Oilless Guide Bushing

MFB 2102.71. 油沟纯铜导套 MFB 2102.71. Solid Bronze Bushings with Oil-groove



MFB 2102.70

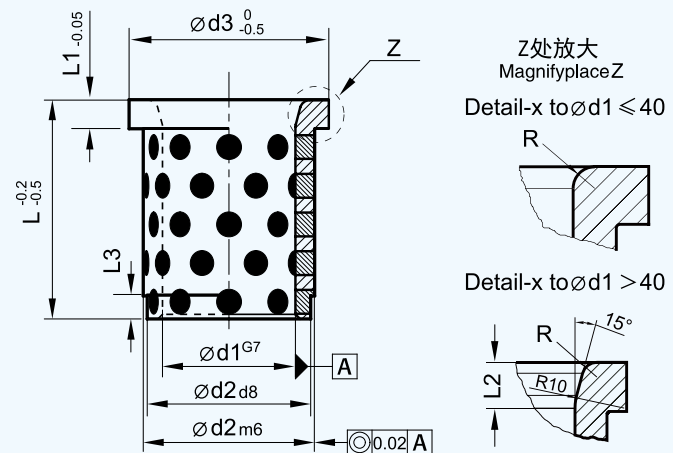
材料：高力黄铜+固体润滑剂
Material: CuZn25Al5Mn3Fe3
+Graphite (500#SP)
推荐座孔 H6



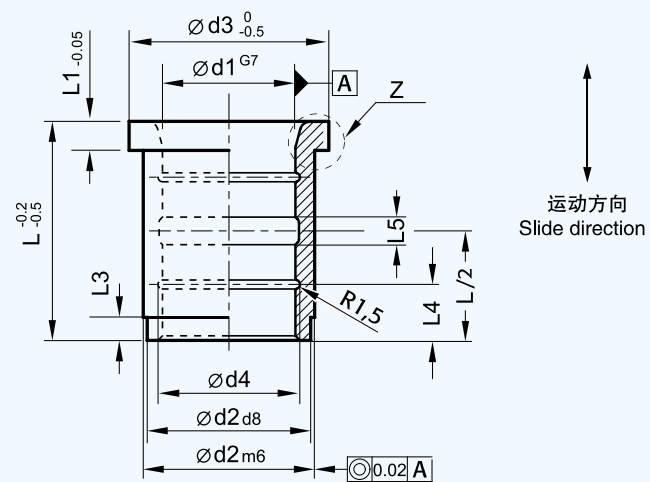
MFB 2102.71

材质：纯高力黄铜 Soilde Bronze
Material: CuZn25Al5Mn3Fe3
推荐座孔 H6

MFB 2102.70



MFB 2102.71



单位unit:mm

产品代号 Part No.									
MFB 2102.70	MFB 2102.71								
d1	d1	20	25	32	40	50	63	80	100
d2	d2	28	35	44	52	63	80	100	125
d3	d3	32	40	50	60	71	90	112	140
d4	d4	22	27	34	42	52	65	82	102
L	L	40	50	63	80	100	125	160	20
L1	L1	4	5	6	8	10	12	16	20
L3	L3	3	5	8	8	8	10	10	10
	L4	—	—	12	16	20	25	32	40
	L5	5	5	5	8	10	12	16	20
R	R	2	2	3	3	3	3	4	4

How to order: Part No. d1
订单方式: MFB 2102.70. 20

How to order: Part No. d1
订单方式: MFB 2102.71. 20

专门定制规格尺寸及材料
Special sizes & drawings or material is available