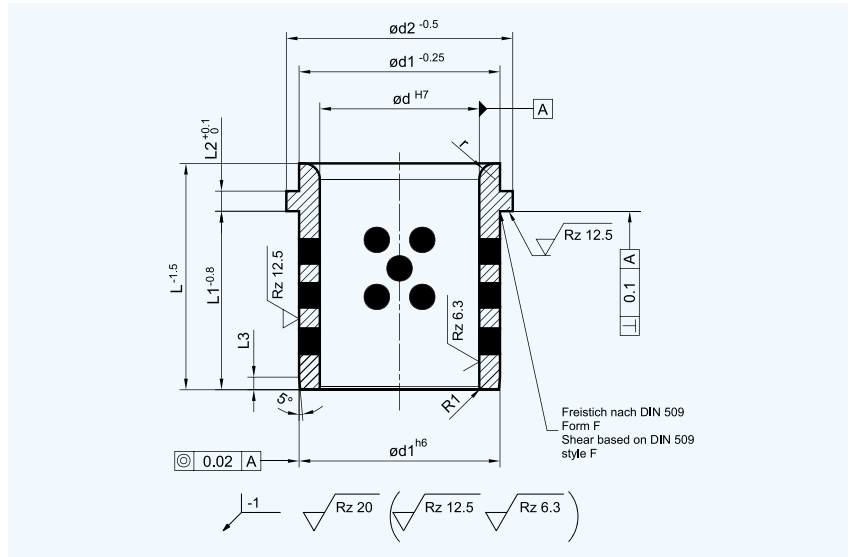


# MGB9834 欧系标准汽车冲压模具导套

## MGB9834 DIN9843 Guide Bushings&Clamps



**MGB9834**  
 材料: 高力黄铜+固体润滑剂  
 Material: CuZn25Al5Mn3Fe3  
 +Graphite (500#SP)

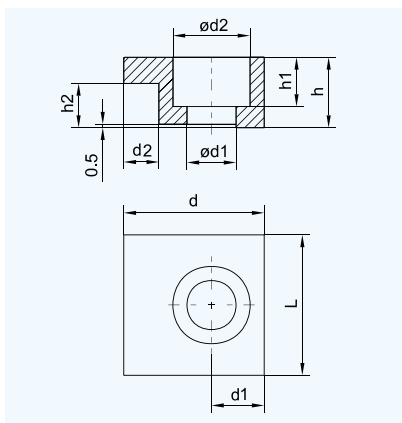


单位unit:mm

产品代号 Part No.	d	d1	d2	L	L1	L2	L3	r
MGB9834 798	25	32	40	32	22	6,3	4	3
MGB9834 799	"	"	"	40	30	"	"	"
MGB9834 797	"	"	"	"	32	"	"	"
MGB9834 796	24	"	"	"	"	"	"	"
MGB9834 800	32	40	50	50	40	"	"	"
MGB9834 801	40	50	63	63	50	"	5	"
MGB9834 802	50	63	71	71	56	"	6,3	5
MGB9834 803	63	80	90	80	63	10	8	6
MGB9834 804	80	100	112	100	80	"	10	8
MGB9834 808	100	125	140	125	100	"	12,5	10
MGB9834 805	"	"	"	"	106	"	"	"
MGB9834 806	125	160	180	160	132	"	16	12
MGB9834 807	160	200	220	200	170	"	"	18

How to order: Part No. d L L1  
 订单方式: MGB9834 25 32 22

专门定制规格尺寸及材料  
 Special sizes & drawings or material is available



单位unit:mm

产品代号 Part No.	d h9	L 0 -0.4	h h11	d1	d2 +0.3 0	h1 +0.2 0	h2 0 -0.3	d1 +0.2 0	d2 +0.2 0
MGB9832 798	20	20	10	7,5	5	7	6,3	7	11
MGB9832 799	32	32	16	11	10	11,5	10	11,5	17,5
MGB9832 784	25	20	12	10	5	8,5	6,3	9	15
MGB9832 785	32	25	16	11	10	11,5	6,3	11	18

How to order: Part No. d  
 订单方式: MGB9832 20

专门定制规格尺寸及材料  
 Special sizes & drawings or material is available

Material: 材料 Steel C45  
 Clamp ident. with DIN 9832