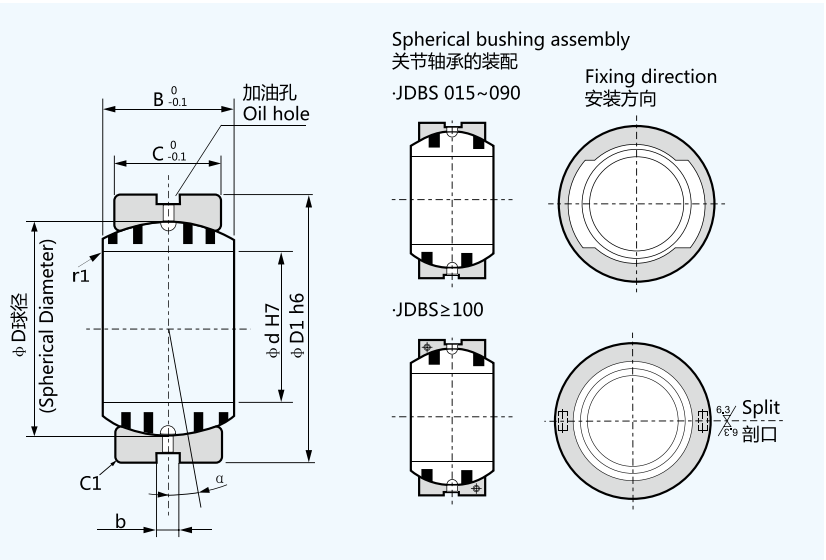


JDBS 自润滑关节轴承 JDBS Metric Spherical Bushing



内圈 Inner ring
材料: 高力黄铜+固体润滑剂
Material: CuZn25Al5Mn3Fe3
+Graphite (500#SP)

外圈 Outer ring 材料 Material: S45C
硬度 Hardness: HRC 25~30



单位 unit:mm

产品代号 Part No.	d H7	D1	h6	B	C	D	b	调整角度 Alignment Angle α °	径向承载 Allowable Radial Load (kN)	径向承载Allowable Thrust Load (kN)
JDBS-015	15 $^{+0.018}_0$	26 $^0_{-0.013}$	12	9	22	4	8	6.5	0.5	
JDBS-020	20 $^{+0.021}_0$	32 $^0_{-0.016}$	16	14	28	"	4	12.6	1.4	
JDBS-025	25 "	42 "	21	18	36	"	5	21.8	2.5	
JDBS-030	30 "	50 "	27	23	44	"	6	32.0	3.5	
JDBS-035	35 $^{+0.025}_0$	55 $^0_{-0.019}$	30	26	49	"	5	43.7	4.8	
JDBS-040	40 "	62 "	33	28	55	"	6	54.7	5.7	
JDBS-045	45 "	72 "	36	31	62	"	5	69.7	7.2	
JDBS-050	50 "	80 "	42	36	70	"	"	92.4	10	
JDBS-060	60 $^{+0.030}_0$	100 $^0_{-0.022}$	53	45	90	"	6	143	16	
JDBS-070	70 "	110 "	58	50	99	"	5	181	20	
JDBS-080	80 "	130 "	70	60	115	"	6	254	30	
JDBS-090	90 $^{+0.035}_0$	140 $^0_{-0.025}$	76	65	125	"	"	313	36	
JDBS-100	100 "	160 "	88	75	145	6	"	544	64	
JDBS-110	110 "	170 "	93	80	155	"	5	642	73	
JDBS-120	120 "	190 $^0_{-0.029}$	105	90	17	"	6	797	94	
JDBS-130	130 $^{+0.040}_0$	200 "	110	95	180	"	5	880	105	
JDBS-140	140 "	210 "	90	70	"	"	7	668	56	
JDBS-150	150 "	220 "	120	105	200	"	5	1135	129	
JDBS-160	160 "	230 "	105	80	"	"	8	891	73	
JDBS-180	180 "	260 $^0_{-0.032}$	105	"	225	"	6	1002	74	
JDBS-200	200 $^{+0.046}_0$	290 "	130	100	250	"	7	1434	117	
JDBS-220	220 "	320 $^0_{-0.036}$	135	"	275	"	8	1577	118	
JDBS-240	240 "	340 "	140	"	300	9	"	1720	"	
JDBS-260	260 $^{+0.052}_0$	370 "	150	110	325	"	7	2072	143	
JDBS-280	280 "	400 "	155	120	350	"	6	2455	172	
JDBS-300	300 "	430 $^0_{-0.040}$	165	120	375	"	7	2630	"	

How to order: Part No. d
订单方式: JDBS 015

专门定制规格尺寸及材料
Special sizes & drawings or material is available