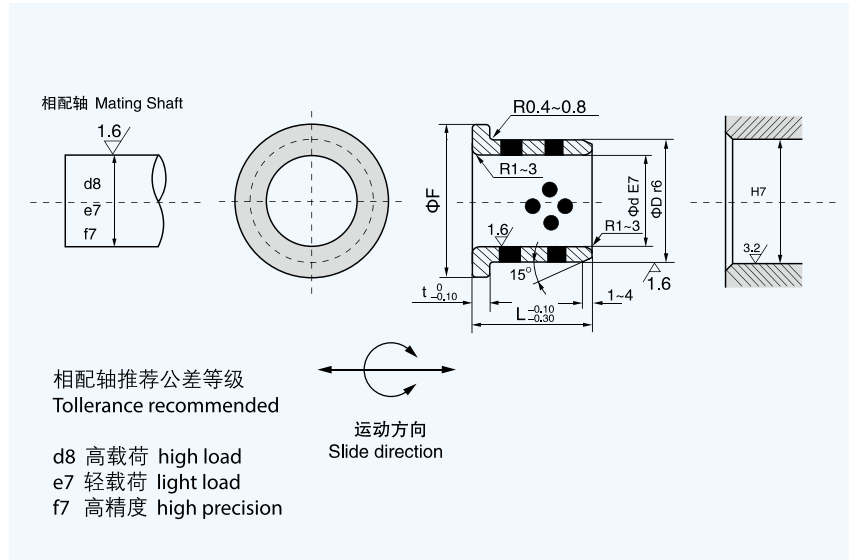


JFB650 翻边自润滑轴承 JFB650 Flanged Oilless Bushing



材料：高力黄铜/青铜+固体润滑剂
Material: CuZn25Al5Mn3Fe3/CuZn5Sn5Pb5/
CuSn12/CuAl10Ni5Fe5+Graphite(500#5P)
相配座孔公差等级推荐H7
Housing tolerance recommended H7



单位unit:mm

I.D. Φd 内径 E7	O.D. ΦD 外径 r6	Flange 翻边		L ^{-0.10/-0.30}										装压后 内孔			
		ΦF	t ^{0/-0.10}	15	20	25	30	35	40	50	60	80	100				
10	+0.040/+0.025	14	+0.034/+0.023	22	2	●	●										+0.021 +0.006
12	+0.050/+0.032	18	"	25	3	●	●										+0.031 +0.013
13	"	19	+0.041/+0.028	26	"	●	●										+0.026 +0.008
14	"	20	"	27	"	●	●										"
15	"	21	"	28	"	●	●	●	●								"
16	"	22	"	29	"	●	●	●	●								"
18	"	24	"	32	"	●	●	●	●								"
20	+0.061/+0.040	28	"	40	5	●	●	●	●	●							+0.037 +0.016
20	"	30	"	40	"	●	●	●	●								+0.032 +0.011
25	"	35	+0.050/+0.034	45	"	●	●	●	●								"
30	"	38	"	40	"		●	●	●	●							"
30	"	40	"	50	"		●	●	●	●							"
31.5	+0.075/+0.050	40	"	"	"		●										+0.046 +0.021
35	"	45	"	60	"		●		●	●							"
40	"	50	"	65	"		●		●	●							"
45	"	55	+0.060/+0.041	70	"				●	●	●						+0.040 +0.015
50	"	60	"	75	"				●	●	●						"
55	+0.090/+0.060	65	"	80	"				●		●						+0.055 +0.025
60	"	75	+0.062/+0.043	90	7.5				●	●			●				+0.053 +0.023
63	"	75	"	95	"								●				"
70	"	85	+0.073/+0.051	105	"						●		●				+0.046 +0.016
75	"	90	"	110	"							●					"
80	"	100	"	120	10							●	●		●		"
90	+0.107/+0.072	110	+0.076/+0.054	130	"							●	●				+0.060 +0.025
100	"	120	"	150	"								●	●			"
120	"	140	+0.088/+0.063	170	"								●	●			+0.052 +0.017

How to order: Code D D L
订单方式: JFB 10 14 15

可专门定制规格尺寸及材料
装压后内孔公差值仅作参考!