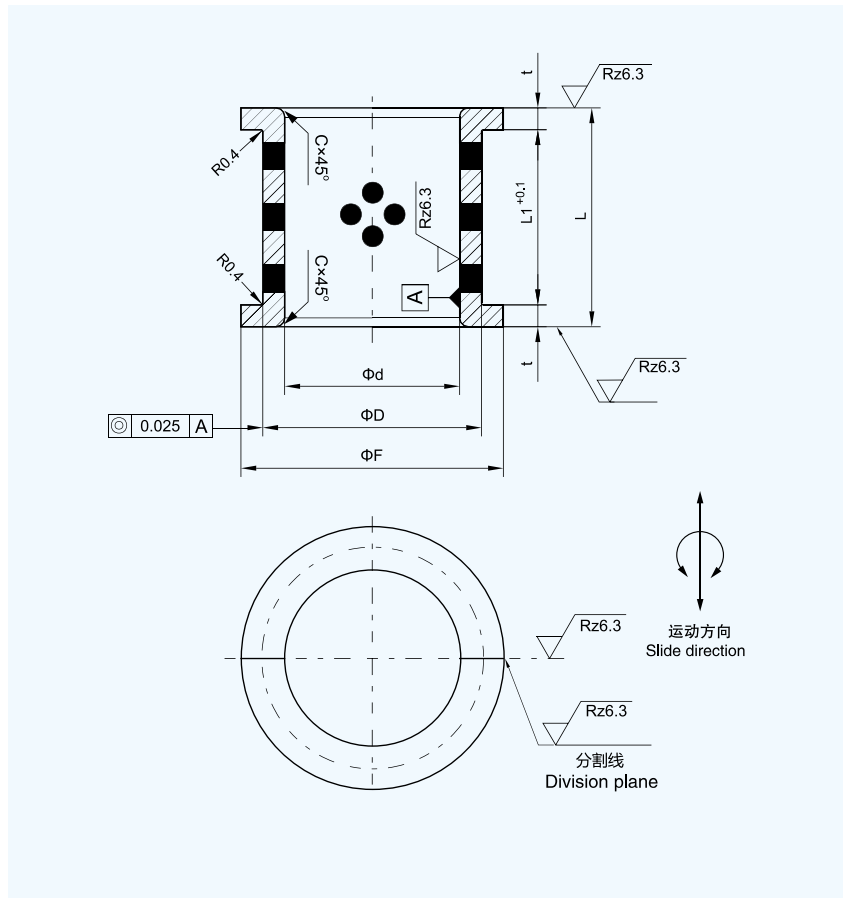


JFFB 自润滑轴瓦

JFBB Half-Bearing



材料：高力黄铜/青铜+固体润滑剂
 Material: CuZn25Al5Mn3Fe3/CuZn5Sn5Pb5/
 CuSn12/CuAl10Ni5Fe5+Graphite(500#SP)
 相配座孔公差等级推荐H7
 Housing tolerance recommended H7



单位unit:mm

| 产品代号 Part No. | I.D. Φd 内径 H7 | O.D. ΦD 外径 | | ΦF d11 | L h12 | $L1^{+0.1}_0$ | t | C |
|------------------|------------------|---------------|----|-----------|----------|---------------|------|---|
| JFFB-030 | 30 | 38 | s6 | 48 | 34 | 22 | 6 | 1 |
| JFFB-035 | 35 | 45 | " | 55 | 45 | 32 | 6.5 | " |
| JFFB-040 | 40 | 50 | " | 60 | 50 | 35 | 7.5 | " |
| JFFB-045 | 45 | 55 | " | 65 | 55 | 40 | 7.5 | " |
| JFFB-050 | 50 | 60 | " | 70 | 60 | 45 | 7.5 | " |
| JFFB-060 | 60 | 70 | " | 80 | 70 | 50 | 10 | 2 |
| JFFB-070 | 70 | 85 | " | 95 | 80 | 60 | 10 | " |
| JFFB-080 | 80 | 95 | " | 110 | 95 | 70 | 12.5 | " |
| JFFB-090 | 90 | 105 | " | 120 | 105 | 80 | 12.5 | " |
| JFFB-100 | 100 | 115 | " | 130 | 115 | 90 | 12.5 | " |
| JFFB-110 | 110 | 125 | r6 | 140 | 125 | 100 | 12.5 | " |
| JFFB-120 | 120 | 135 | " | 150 | 140 | 110 | 15 | " |
| JFFB-140 | 140 | 160 | " | 175 | 160 | 120 | 20 | " |
| JFFB-160 | 160 | 180 | " | 200 | 180 | 140 | 20 | " |

How to order: Part No. d
 订单方式: JFFB 030

专门定制规格尺寸及材料
 Special sizes & drawings or material is available