

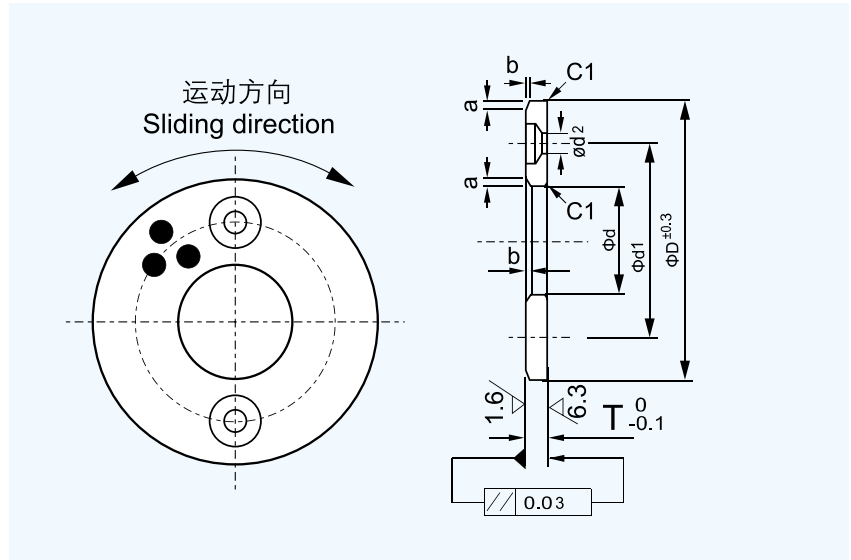
JTW/JTWN 止推垫片

JTW/JTWN Metric Thrust Washer



JTW 有螺栓孔型垫片
Type with holes

Material: CuZn25Al5Mn3Fe3
+Graphite(500#SP)
材料: 高力黄铜+固体润滑剂



单位unit:mm

产品代号 Part No.	I.D. ϕd 内径	O.D. ϕD 外径	$T_{-0.1}^0$	螺栓 Bolt			d_2	倒角 Chamfer	
				d_1	数量 Q'ty	尺寸 Size		a	b
JTW-10	10.2 $^{+0.2}_{+0.1}$	30	3	20	2	M3	3.5	1.5	0.3
JTW-12	12.2 "	40	"	28	"	"	"	2	0.4
JTW-1203N	12.2 "	"	"	-	-	-	-	"	"
JTW-1303	13.2 "	"	"	28	2	M3	3.5	"	"
JTW-1403	14.2 "	"	"	"	"	"	"	"	"
JTW-1503	15.2 "	50	"	35	"	"	"	"	"
JTW-1603	16.2 "	"	"	"	"	"	"	"	"
JTW-1603N	16.2 "	"	"	-	-	-	-	"	"
JTW-1803	18.2 "	"	"	35	2	M3	3.5	"	"
JTW-2005	20.2 "	"	5	"	"	M5	6	2.5	"
JTW-2505	25.2 "	55	"	40	"	"	"	"	"
JTW-3005	30.2 "	60	"	45	"	"	"	"	"
JTW-3505	35.2 "	70	"	50	"	"	"	"	"
JTW-4007	40.2 "	80	7	60	"	M6	7	3	0.5
JTW-4507	45.2 "	90	"	70	"	"	"	"	"
JTW-5008	50.3 $^{+0.3}_{+0.1}$	100	8	75	4	"	"	4	0.6
JTW-5508	55.3 "	110	"	85	"	"	"	"	"
JTW-6008	60.3 "	120	"	90	"	M8	9	5	0.8
JTW-6508	65.3 "	125	"	95	"	"	"	"	"
JTW-7010	70.3 "	130	10	100	"	"	"	"	"
JTW-7510	75.3 "	140	"	110	"	"	"	"	"
JTW-8010	80.3 "	150	"	120	"	"	"	"	"
JTW-9010	90.5 "	170	"	140	"	M10	11	"	"
JTW-10010	100.5 "	190	"	160	"	"	"	"	"
JTW-12010	120.5 "	200	"	175	"	"	"	4	"

How to order: Part No. d
订单方式: JTW 10

*可专门定制规格尺寸及材料
N:无平头螺丝孔