

# M CPRP、M CPRPL、M CPRPR 20mm 日系汽车模具自润滑导板

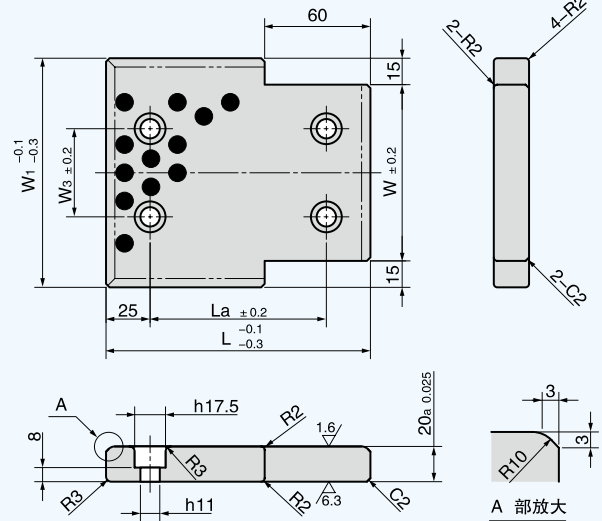
## M CPRP、M CPRPL、M CPRPR JIS 20mm Wear Plate



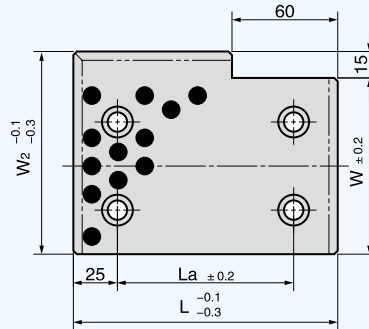
M CPRP  
M CPRPL  
M CPRPR

材料：高力黄铜+固体润滑剂  
Material: CuZn25Al5Mn3Fe3  
+Graphite (500#sp)

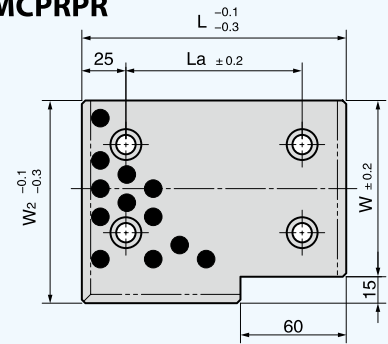
### M CPRP



### M CPRPL



### M CPRPR



单位unit:mm

材料 Material	产品代号 Part No.	W	L	W1	W2	W3	La
M CPRP M CPRPL M CPRPR	75 × 100	75	100	105	90	40	50
	75 × 125	"	125	105	"	"	75
	75 × 150	"	150	105	"	"	100
	100 × 125	100	125	130	115	50	75
	100 × 150	"	150	130	"	"	100
	125 × 150	125	"	155	140	75	"
	125 × 200	"	200	155	"	"	150
	125 × 250	"	250	155	"	"	200
	150 × 200	150	200	180	165	100	150
	150 × 250	"	250	180	"	"	200

How to order: Part No. W L  
订单方式: M CPRP 75 100

专门定制规格尺寸及材料  
Special sizes & drawings or material is available