

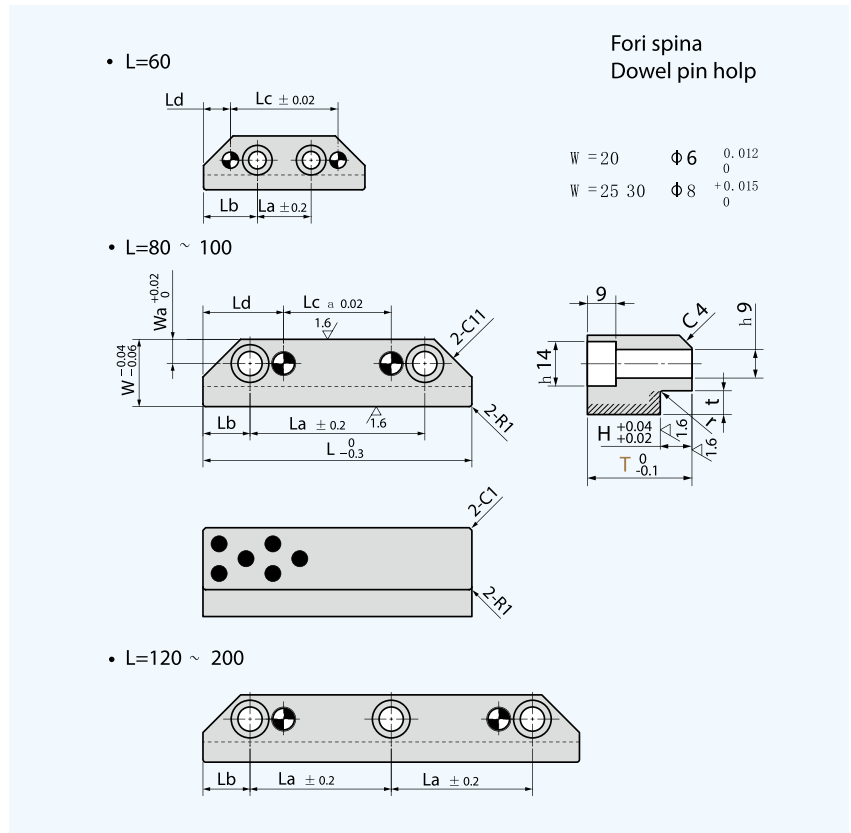
MSGLXS 塑胶模 “L” 滑块

MSGLXS The Plastic Mould "L" Block



SGLXS

材料: 高力黄铜+固体润滑剂
Material: CuZn25Al5Mn3Fe3
+Graphite(500#sp)



单位unit:mm

W	L	Wa	La	Lb	Lc	Ld	H	t	r	Catalog No.	W	L	T	
20	60	9	20	20	40	10	8	5.5	0.5	SGLXS	20	60	23	
	80		50		20							140		28
	100		70		40									
	120		45	60										
	140		55	80										
	160		65	100										
25	80	45	17.5	20	30	10	7.5	0.8	25		80	28		
	100	65		40							140		33	
	120	42.5		60										
	140	52.5		80										
	160	62.5		100										
	180	72.5		120										
30	100	11	60	20	20	40	15	11	30	100	43			
	120		40		40					140		53		
	140		50		60									
	160		60		80									
	180		70		100									
	200		80		120									

How to order: Part No. W L T
订单方式: MSGLXS 20 120 28

专门定制规格尺寸及材料
Special sizes & drawings or material is available