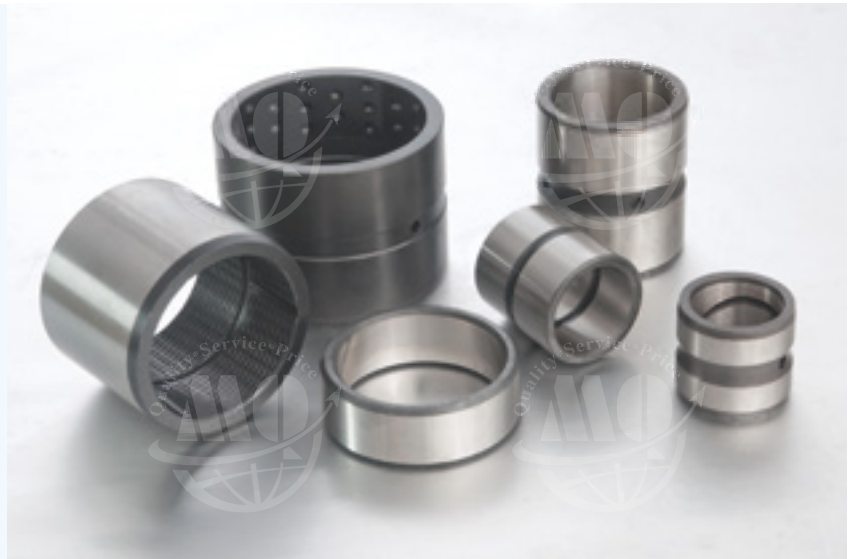


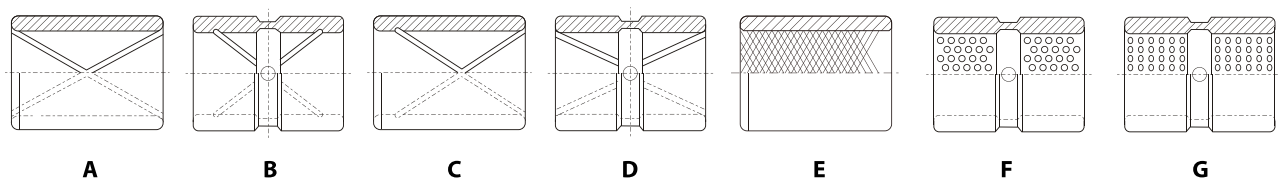
## ST 钢套 ST Steel Bushing

该产品以钢为基体,在轴承内表面加工十字网状油槽,圆形或椭圆形油穴,经调质处理后,提高轴承的表面硬度和耐磨性,可以广泛应用于工程机械领域。



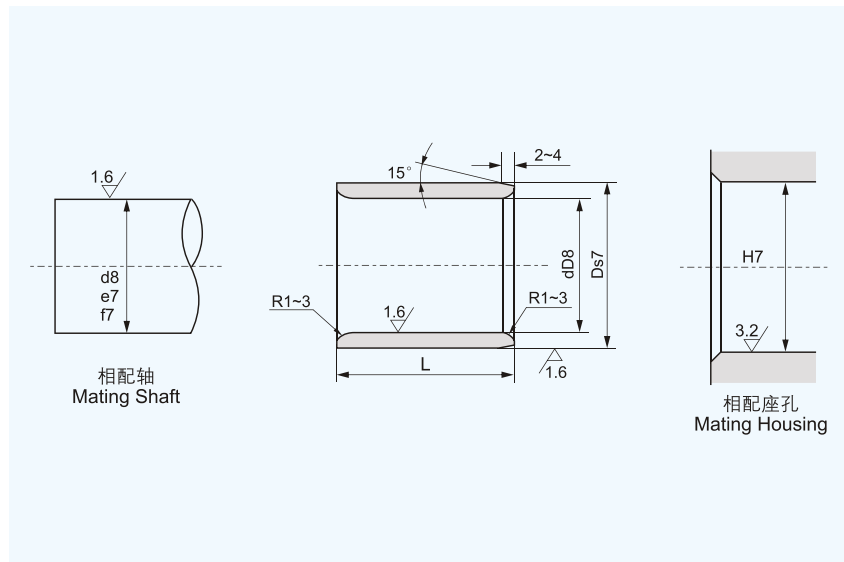
型号Type	ST-8	ST-9	ST-10
材质Material	GCr15	42CrMo	20Cr
<b>机械物理性能 Material Composition and Properties</b>			
表面硬度 Hardness	55HRC	HV>650 or 58~62HRC 0.8~1.0 (Carbonization depth 0.8~1.0mm)	58~62 HRC
最高承载力 Max load	250 N/mm <sup>2</sup>	100 N/mm <sup>2</sup>	100 N/mm <sup>2</sup>
最高线速度 Max Linear Velocity	0.1m/s	0.1m/s	0.1m/s
最高PV值 Max PV Value	1.5 N/mm <sup>2</sup> ·m/s	1.5 N/mm <sup>2</sup> ·m/s	1.5 N/mm <sup>2</sup> ·m/s
使用温度范围 Working Temperature Limit	-100°C~+350°C	-100°C~+350°C	-100°C~+350°C
公差配合 Mating tolerance	装配座孔Mating Housing: H7 / 相配轴 Mating Shaft: e7/ f7		

### 典型油槽形式 Typical Oil Groove Format or as Customers Designs



# ST 钢套

## ST Steel Bushing



单位unit:mm

d	D8	D	s7	L 0/0.5												
				20	25	30	35	40	50	60	70	80	100	120		
30	+0.098	38		●	●	●	●	●	●							
30	+0.065	40		●	●	●	●	●	●							
32	+0.119 +0.080	42		+0.068 +0.043	●		●		●							
35		45		●	●	●	●	●	●							
38		48		●		●		●								
40		50	●	●	●	●	●	●	●	●						
40		55	●		●	●	●	●	●	●						
45		60		+0.083 +0.053		●	●	●	●	●	●					
50		60				●	●	●	●	●	●					
50		62				●			●	●	●					
50		65					●		●	●	●	●				
50		65					●		●	●	●	●	●			
55	+0.146 +0.100	70	+0.089 +0.059			●	●	●	●	●	●					
60		75				●	●	●	●	●	●	●				
65		80					●		●	●	●	●	●			
70		85				●	●	●	●	●	●	●	●			
75		90								●	●	●	●	●		
75		95		+0.106 +0.071							●	●	●	●	●	
80		95							●	●	●	●	●	●	●	
80		100							●	●	●	●	●	●	●	
85		100									●		●			
90		+0.174 +0.120	110	+0.114 +0.073					●	●	●		●	●		
100	120						●	●	●	●	●	●	●			
110	130		+0.132 +0.092					●	●		●	●	●	●	●	
120	140										●	●	●	●	●	●
130	+0.208 +0.145	150	+0.140 +0.100									●	●	●	●	
140		160											●	●	●	
150		170	+0.148 +0.108										●	●	●	